

Manufacturer Certificated



CERT. No.: 282Q19070712006

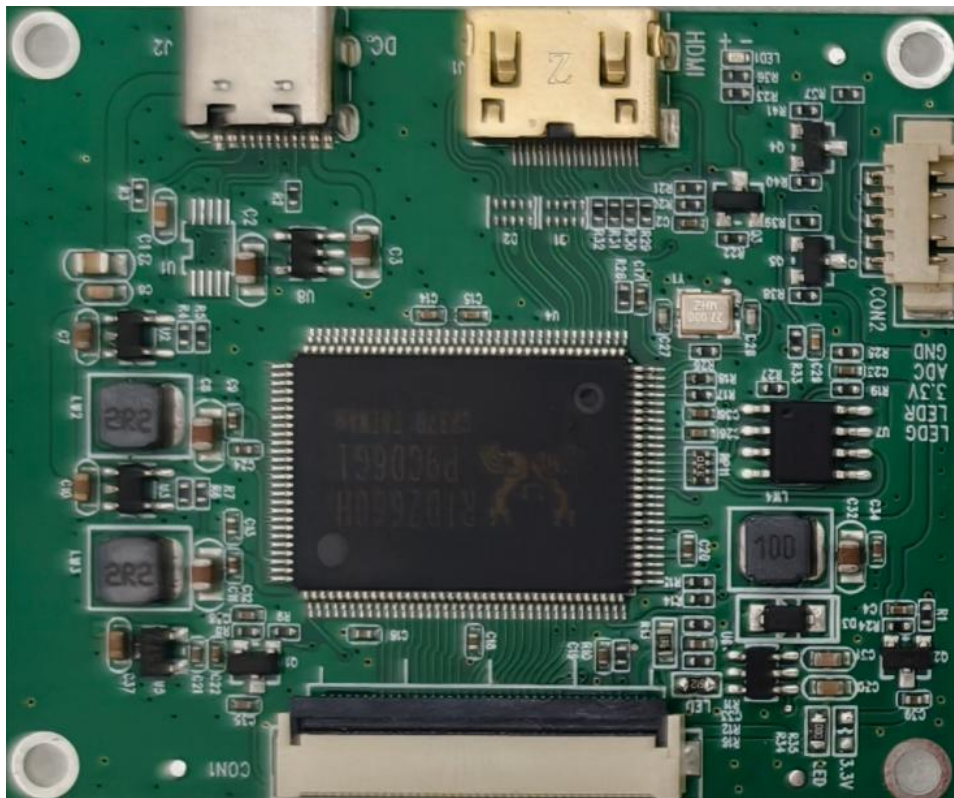
CERT. No.: 282E19070712007

Product Specification

Model: TBJ034HD-01

HDMI Display Board

This module uses ROHS material



Tailor Pixels Technology Co., Ltd.

www.tailorpixels.com

tailor@tailorpixels.com

Ph: 86-755-8821 2653

Contents

1. Record of Revision	2
2. General Specifications	3
3. Electrical Characteristics	3
4. PIN-MAP	4
5. Block Diagram	6
6. Mechanical Drawing	7

2. General Specifications

Feature		Spec
Characteristics	Size	-
	LCM Resolution supported(Max)	1024*768
	Pixel Configuration	R.G.B.-Stripe
	Interface	HDMI
	Connect type	Cable
	Key	Option
Mechanical	PCB (W x H)	56.5*47.4mm
	LCM connector	40PIN/0.5mm
	HDMI connector	MINI HDMI 19P
	Power connector	Type-C

3. Electrical Characteristics

Item	Symbol	MIN	Typ	MAX	Unit
Supply Voltage	VDD	4.5	5.0	5.5	V
Direct Current	I _{dd}	-	TBD	-	mA
Operating Temperature	TOPR	-10	-	60	°C
Storage Temperature	TSTG	-20	-	70	°C

4. PIN-MAP

4.1 J1 (HDMI PIN-MAP)

Pin	Signal	Description
1	TMDS Data 2+	TMDS Transition differential signal 2+
2	TMDS Data2 Sh	Data2 Shielding ground
3	TMDS Data 2-	TMDS Transition differential signal 2-
4	TMDS Data 1+	TMDS Transition differential signal 1+
5	TMDS Data1 Sh	Data1 Shielding ground
6	TMDS Data 1-	TMDS Transition differential signal 1-
7	TMDS Data 0+	TMDS Transition differential signal 0+
8	TMDS Data 0 S	Data0 Shielding ground
9	TMDS Data 0-	TMDS Transition differential signal 0-
10	TMDS Clock+	TMDS Transition differential signal Clock+
11	TMDS Clock Sh	Clock Shielding ground
12	TMDS Clock-	TMDS Transition differential signal Clock-
13	CEC	Electronic protocol CEC
14	NC	NC
15	SCL	I2C Clock Line
16	SDA	I2C DATA Line
17	DDC/CEC GND	Data display channel
18	+5V	+5V Power
19	Hot Plug Detec	Hot Plug Detec

4.2 CON2 (Key board) 1.25-5P

NO 管脚	SYMBOL 板上丝印	DESCRIPTION (描述)
1	LEDG	GREEN LED
2	LEDR	RED LED
3	3.3V	3.3V
4	ADC	ADC Check
5	GND	GND

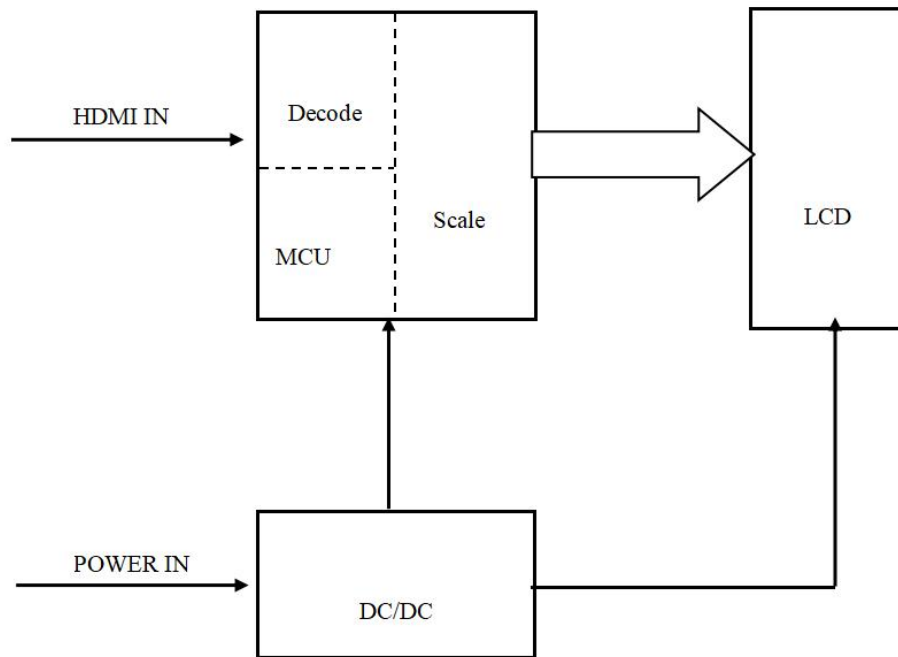
4.3 J2 Power supply(tpcy-c)



4.4 CON2(LCM) 40PIN/ 0.5mm

NO 管脚	SYMBOL 板上丝印	DESCRIPTION (描述)
1	LEDA	LED ANODE
2	LEDK	LED CATHODE
3	LEDK	LED CATHODE
4	GND	Ground
5	VCI	LCD analog power supply
6	RESET	Reset Signal
7	NC	Not connect
8	NC	Not connect
9	SDA	SPI Data signal
10	SCK	SPI Clock signal
11	CS	SPI Chip select signal
12	PCLK	RGB dot clock signal
13	DE	RGB data enable signal
14	VSYNC	RGB frame synchronizing signal
15	HSYNC	RGB line synchronizing signal
16~33	DB0-DB17	RGB data(B2-B7,G2-G7,R2-R7)
34	GND	Ground
35	TP_INT	Touch Interrupt
36	TP_SDA	Touch IIC Data signal
37	TP_SCL	Touch IIC Clock signal
38	TP_RESET	Touch Reset Signal
39	TP_VCI	Touch Power supply
40	TP_GND	Touch Ground

5. Block Diagram



6. Mechanical Drawing

