

Manufacturer Certificated



CERT. No.: 282Q19070712006

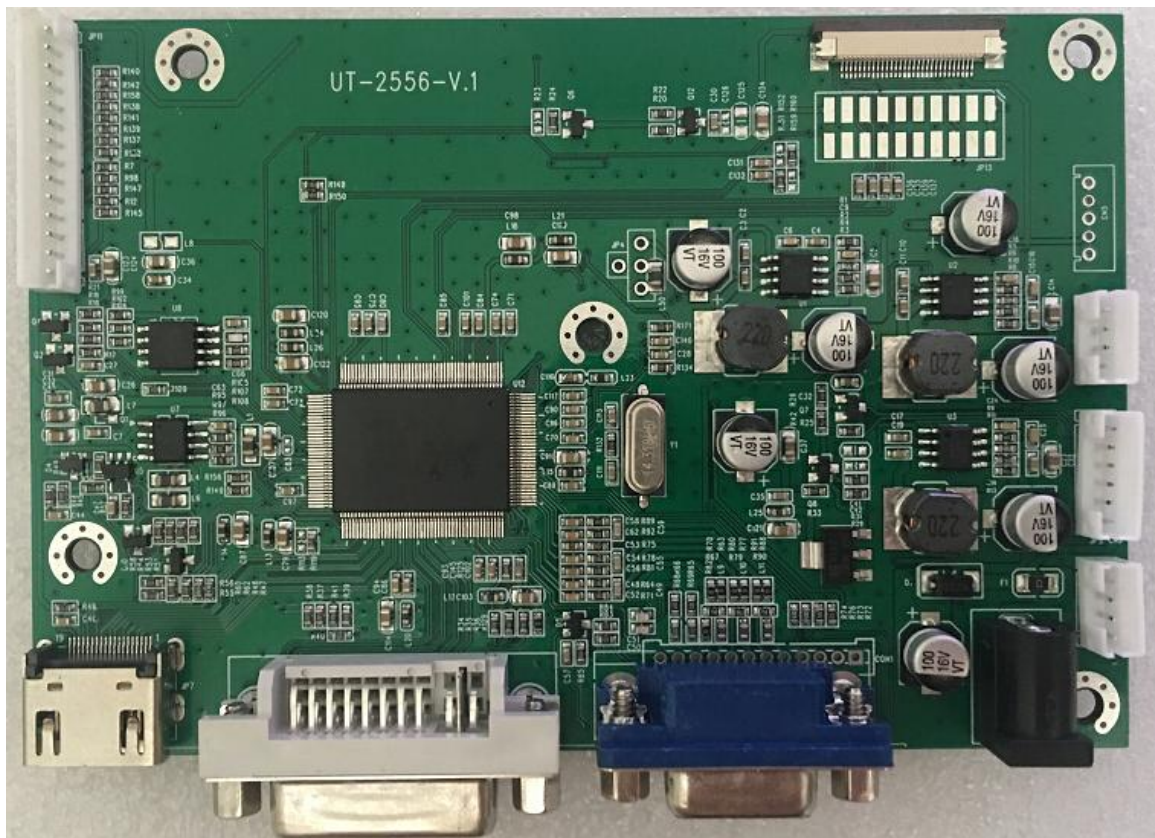
CERT. No.: 282E19070712007

Product Specification

Model: TBJ156HD-01

HDMI/VGA/DVI Display Board

This module uses ROHS material



Tailor Pixels Technology Co., Ltd.

www.tailorpixels.com

tailor@tailorpixels.com

Ph: 86-755-8821 2653

Contents

1. Record of Revision	2
2. General Specifications	3
3. Electrical Characteristics	3
4. PIN-MAP	4
5. Block Diagram	6
6. Mechanical Drawing	7

1. Record of Revision

Version	Revise Date	Content	Remark
V1.0	2017/04/25	-	-

2. General Specifications

Feature		Spec
Characteristics	Size	-
	LCM Resolution supported(Max)	1920*1080
	Pixel Configuration	R.G.B.-Stripe
	Interface	HDMI/VGA/DVI
	Connect type	Cable
	Key	5key
Mechanical	PCB (W x H)	123.2*82.5mm
	LCM connector	30PIN-0.5MM
	HDMI connector	HDMI-019S
	VGA connector	VGA15 (Female)
	DVI connector	DVI-I (Female)

3. Electrical Characteristics

Item	Symbol	MIN	Typ	MAX	Unit
Supply Voltage	VDD	7	12	15	V
Direct Current	I _{dd}	960	510	420	mA
Operating Temperature	TOPR	-10	-	60	°C
Storage Temperature	TSTG	-20	-	70	°C

4. PIN-MAP

4.1 HDMI PIN-MAP

Pin	Signal	Description
1	TMDS Data 2+	TMDS Transition differential signal 2+
2	TMDS Data2 Sh	Data2 Shielding ground
3	TMDS Data 2-	TMDS Transition differential signal 2-
4	TMDS Data 1+	TMDS Transition differential signal 1+
5	TMDS Data1 Sh	Data1 Shielding ground
6	TMDS Data 1-	TMDS Transition differential signal 1-
7	TMDS Data 0+	TMDS Transition differential signal 0+
8	TMDS Data 0 S	Data0 Shielding ground
9	TMDS Data 0-	TMDS Transition differential signal 0-
10	TMDS Clock+	TMDS Transition differential signal Clock+
11	TMDS Clock Sh	Clock Shielding ground
12	TMDS Clock-	TMDS Transition differential signal Clock-
13	CEC	Electronic protocol CEC
14	NC	NC
15	SCL	I2C Clock Line
16	SDA	I2C DATA Line
17	DDC/CEC GND	Data display channel
18	+5V	+5V Power
19	Hot Plug Detec	Hot Plug Detec

4.2 JP11 (Key board) 14PIN/2.0mm

Pin No.	Symbol	Function
1	VCC	Power supply 3.3V
2	IR	Remote control (option, normally without)
3	GND	GND
4	KO	ON/OFF
5	LED R	Red LED
6	LED G	Green LED
7	GND	GND
8	K1	Signal channel switch menu
9	K2	Reduce key
10	K3	Increase key
11	K4	Menu key
M	K5	NC
13	K6	NC
14	K7	NC

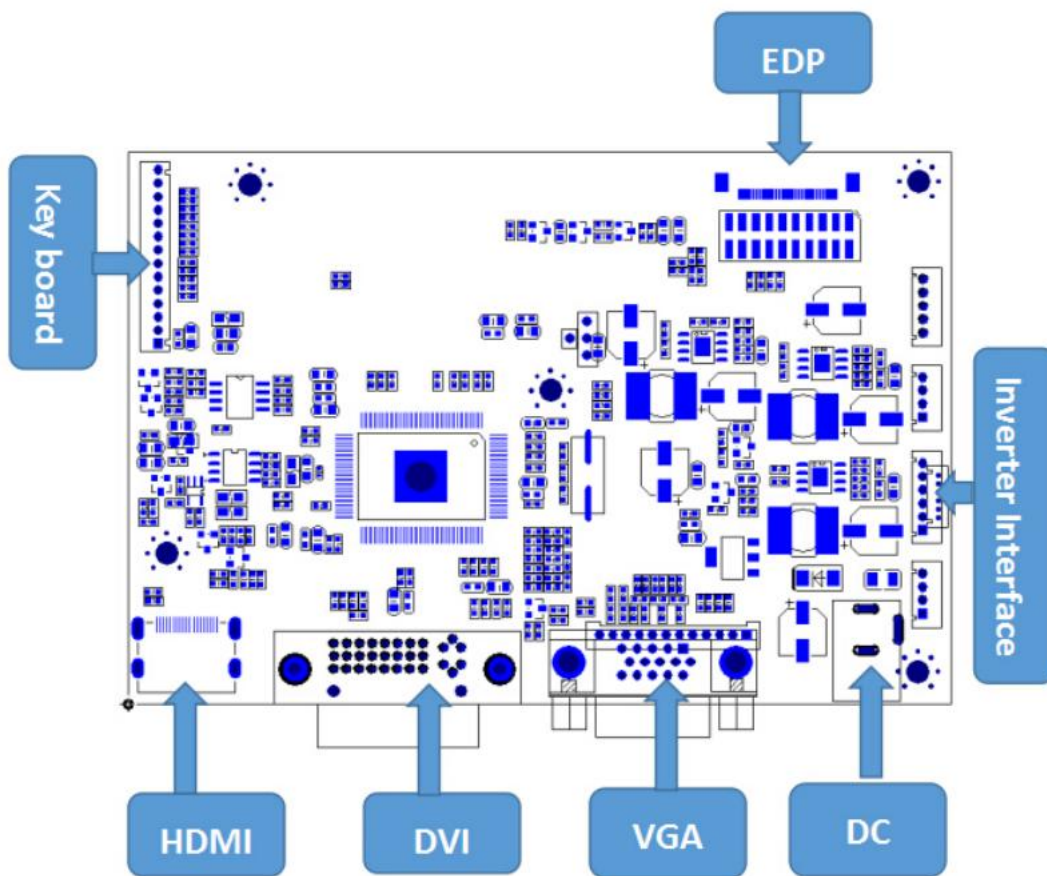
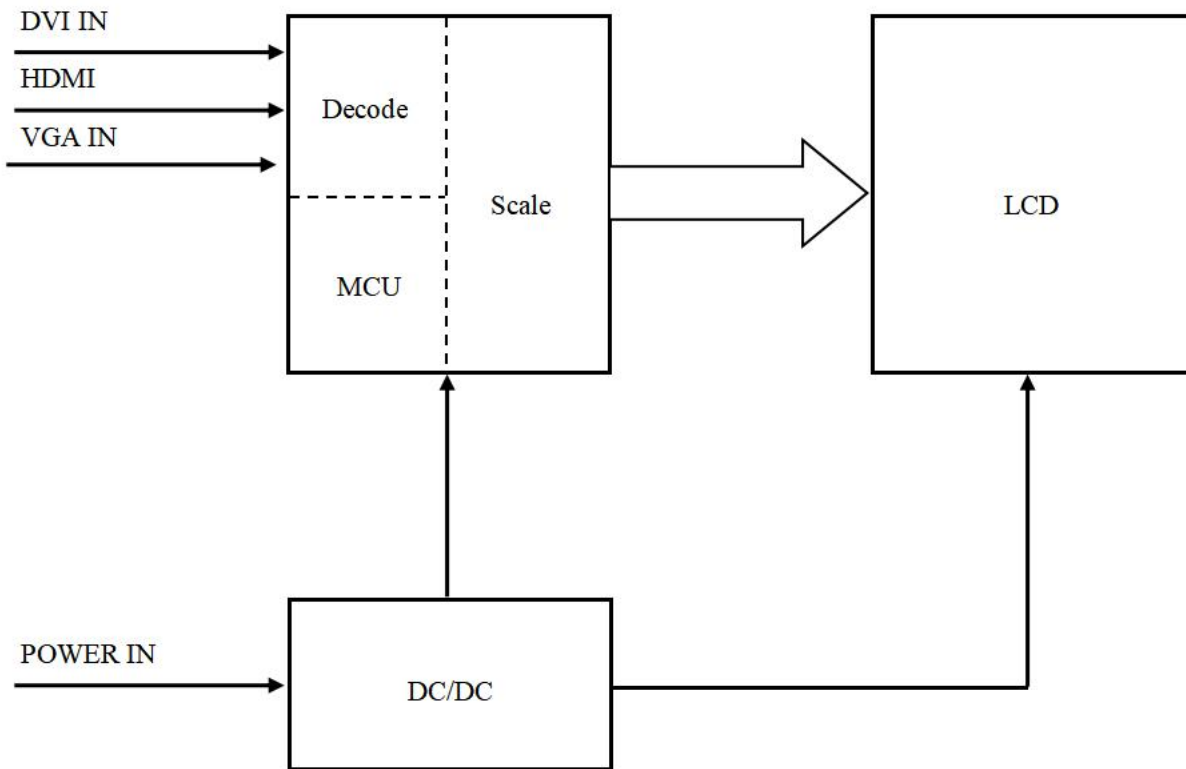
4.3 JP5 (Backlight option 6PIN/2.0mm)

Pin No.	Symbol	Function
1	GND	GND
2	GND	GND
3	ADJ	Backlight PWM signal
4	EN	Backlight enable signal
5	12V	Power supply
6	12V	Power supply

4.4 CON2 (LCM PIN-MAP 30 PIN/0.5MM)

Pin No.	Symbol	Function
1	NC	No Connection(Reserved for LCD test)
2	H_GND	High Speed Ground
3	ML1-	Complement Signal-Lane1
4	ML1+	True Signal-Main Lane1
5	H_GND	High Speed Ground
6	ML0-	Complement Signal-Lane0
7	ML0+	True Signal-Main Lane0
8	H_GND	High Speed Ground
9	AUX+	True Signal-Auxiliary Channel
10	AUX-	Complement Signal-Auxiliary Channel
11	H_GND	High Speed Ground
12-13	VCCS	Power Supply +3.3V(typical)
14	NC	No Connection(Reserved for LCD test)
15-16	GND	Ground
17	HDP	Hot Plug Detect
18-21	BL_GND	BL Ground
22	LED_EN	BL_Enable Signal of LED Converter
23	LED_PWM	PWM Dimming Control of LED Converter
24	NC	No Connection(Reserved for LCD test)
25-29	LED_VCSS	BL Power 12V
30	NC	No Connection(Reserved for LCD test)

5. Block Diagram



6. Mechanical Drawing

